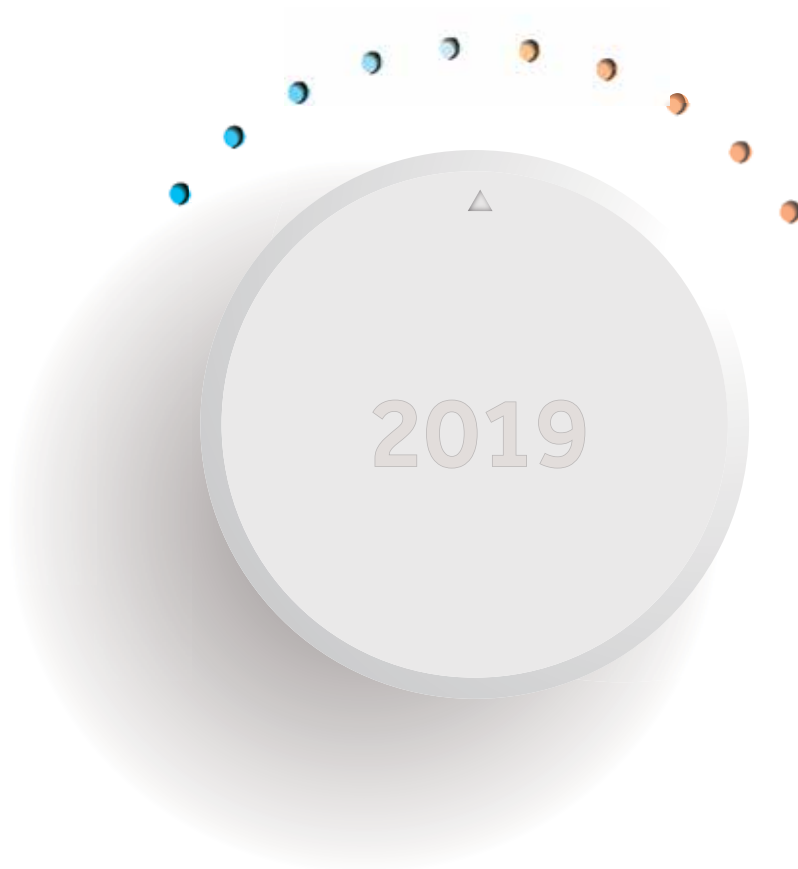


SMARTPOWER

Ducted and Cassette DC Inverter Air Conditioning Split Systems



Haier
Air Conditioning





Haier Brand Story

The Internet era is a diverse and unconventional time, where "one size fits all" products and solutions simply are not enough. Customers want to be treated as individuals and respected for who they are. Everyone wants their unique lifestyle acknowledged. That is why Haier listens closely to you in order to gain a genuine understanding of what is going on in your life and what is on your mind so each of you can get the smart home experience you deserve: be it simple, sophisticated, organized or enjoyable. As a worldwide industry leader, Haier innovates beyond products and solutions and turns the organization into a wholly connected platform. In doing so, internal and external resources are connected quickly and easily. We believe only by doing so, we can best meet our consumers' expectations in this rapidly evolving world. Be part of the Haier Network. Create new possibilities.

Research and Development Centre

Haier Air Conditioning R&D Centre, located in Qingdao, China, completed in December 2013, covers 20,000 m². It contains more than 120 laboratories, including testing laboratories, key part research laboratories and all-weather user experience simulation laboratories. The R&D centre also has one of the world's tallest towers for testing long refrigerant piping tests and refrigerant lift capabilities to 110m tall.

Research in heating and cooling technology covers the fields of user comfort evaluation, aerodynamics, acoustics, EMC (Electro-Magnetic Compatibility) and mechanical etc. The labs can carry out more than 600 international tests as per ISO, IEC, EN, CISPR and ANSI etc. to meet the requirements of Europe, Asia, America, Australia, Middle East and other 100 countries and regions.

The user experience centre gains recognition by domestic well-known certification and testing institutions. At Haier, we believe that the best air conditioning is one that builds on uncompromising quality control worldwide, developing and manufacturing exceptional products and delivering them to customers everywhere.



Haier AC Milestones

1984
Haier group
was founded
in Qingdao
China

1985
Developing
China's first
split air
conditioner

1993
Developing
China's first
inverter air
conditioner

1995
Launching
China's first dual
split inverter
conditioner

Starting to export
air conditioners
to Europe market

1996
Launching full
range light
commercial air
conditioning
solution

1998
Launching VRF
system

Developing the
first digital DC
inverter air
conditioner in
China

1999
Starting to
export air
conditioners
to USA

2001
Building up
industry park in
Pakistan and
catching No.1
market share
in 2005

2005
Releasing
R410a DC
inverter X-multi
system

2006
Achieving IF design
award, one of 10
creative products
in the world

Releasing R410a
centrifugal chiller
with maglev
technology and
R410a DC inverter
VRF system.

2007

Achieving the bid of 20 projects of Beijing Olympic Games

2009

Achieving red dot design award

2010

Introducing the more advanced Freon-free DC inverter air conditioner and magnetically levitated VRF system with high energy efficiency

2011

Launching full range of SUPER MATCH solutions inverter multi systems

2012

Establishing Haier Europe HOME SOLUTION platform in France to accelerate the marketing of Heat pump / Solar Solution.

2013

Launching Emperor series and Aero series floor standing models which lead the innovation in design

2014

Establishing AC R&D center to enhance the R&D ability with more focus on users' requirement

2015

Launching MRV IV full DC INV. technology Max. 3 modular up to 72HP globally

2016

Launching Super Match Smart Power Series, high performance series

2017

Launching MRV IV in Australia market

2018

Haier India Manufacturing commenced



Home



Office



Shop



Hotel





CONTENTS

CONTENTS

SMART POWER	8
FEATURES AND BENEFITS	9
HIGH STATIC DUCTED	10
HIGH STATIC DUCTED SPECIFICATIONS	12
LOW PROFILE DUCTED	14
LOW PROFILE DUCTED SPECIFICATIONS	16
CASSETTE ROUND WAY	18
CASSETTE SPECIFICATIONS	20
OUTDOOR UNIT DRAWINGS	22
INDOOR UNIT DRAWINGS	23
CONTROLS	26
CENTRAL CONTROLS	27



SMART POWER



YR-E17



YR-E16A



YR-E16B



YR-HD



KZW-W001

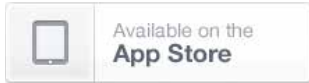


- 180° sine wave DC Inverter
- Large outdoor fans to reduce the sound level design.
- DC fan Motor
- WI-FI optional

FEATURES AND BENEFITS



Wi-Fi



It is simple to make the Haier Smart Power System Wi-Fi compatible. Purchase the additional accessory KZW-W001 and connect it to the indoor unit. Then control your Haier System wherever you are by smart phone or tablet.



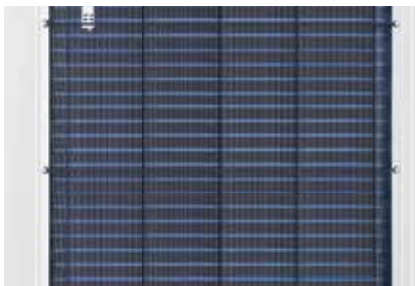
The Wi-Fi module (KZW-W001) will connect to the internet via your Wi-Fi router (WiFi router not supplied).

Download the Haier smart Air 2 APP free from Apple or Android stores.



Corrosion protection

Haier evaporator adopts new generation blue aluminium fin which specializes in strong corrosion resistance and super hydrophilic performance.



"888" digital test panel

All running parameters and error code can be checked from the "888" digital display. Simpler operation to reduce diagnosis time.



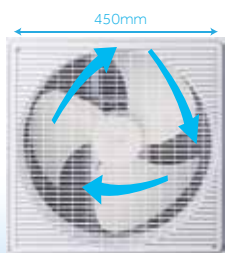
Large Fans - Low Sound Level

Lower sound level can be achieved by an industry leading 550 mm fan and unique outlet grille. The new grille design offers less resistance to airflow and less noise.

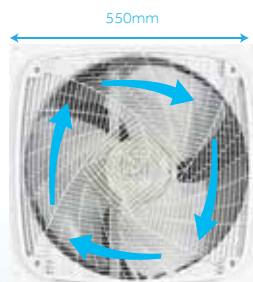


Handles for easier transporting

Four handles are designed into each outdoor unit to allow for two people to carry.



Competitor Fan Grille



Haier Fan Grille





HIGH STATIC DUCTED



YR-E17



YR-E16A



YR-E16B



YR-HD



KZW-W001



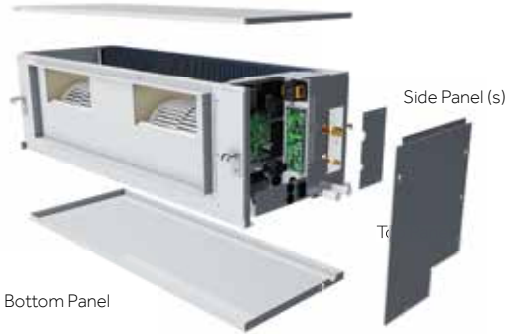
- 20-25 KW model two piece design for easier installation
- 10-16 KW model with one piece design for easier for truss installation.
- DC fan Motor
- WI-FI available with optional KZW-W001 kit

FEATURES AND BENEFITS



Serviceability

Top, bottom or side panels are removable for servicing and installation (10.5 - 16 kW)



10 step adjustments of ESP

ESP can be adjusted by the supplied wired controller YR-E17 or the alternate controller YR-E16. No need to open the electrical box and adjust the ESP by switch or plug, reducing installation time.



Safety Drain Tray Built In

The 10.5 to 16 kW indoor unit is designed to incorporate two drain trays for condensate removal. The secondary tray is a backup in case the first one overflows due to a blockage.



20 & 24 kW 2 piece design.

The indoor unit of the 20 & 24 kW will separate into two manageable pieces to make installation easier. Then can be re-assembled to one piece in the ceiling.



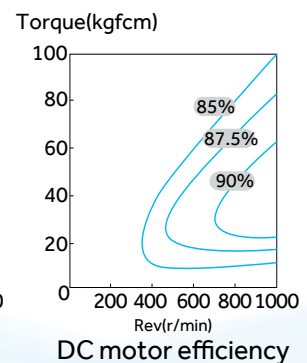
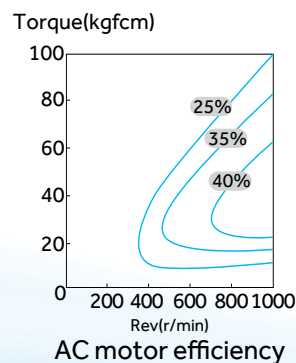
Design

The 10.5- 16kW indoor unit design was optimised to ensure the compact indoor unit was kept to a maximum of only 550mm. Ideal for 600mm truss spacing of a normal house.



DC Fan Motor

DC motor's are renown for using less energy than a standard AC motor and being more adjustable for better airflow / static pressure tuning.



HIGH STATIC DUCTED SPECIFICATIONS



Outdoor Unit
1U105N1ERG

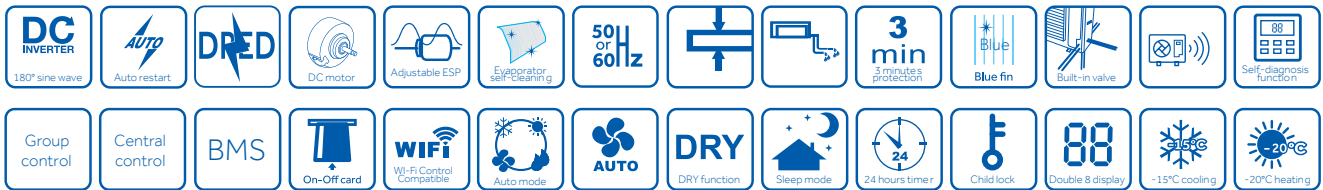
Outdoor Unit
1U125P1ERG
1U140P1ERG
1U160P1ERG



YR-E17



Indoor Unit
ADH105H1ERG
ADH125H1ERG
ADH140H1ERG
ADH160H1ERG



Model		Indoor unit		ADH105H1ERG	ADH125H1ERG	ADH140H1ERG	ADH160H1ERG
		Outdoor unit		1UH105N1ERG	1UH125P1ERG	1UH140P1ERG	1UH160P1ERG
Nominal performance data	Rated capacity	Cooling	kW nom (min-max)	10.5 (2.5-11.0)	12.5 (3.5 ~ 15.0)	14 (3.5 ~ 15.0)	15.5 (3.5-17.5)
		Heating	kW nom (min-max)	11.5 (2.5 ~ 12)	14 (4.0 ~ 18)	16 (6.0 ~ 19.0)	18.0 (6.0-20.0)
	Rated power input	Cooling	kW nom (min-max)	3.00 (0.5 ~ 5.3)	3.57 (1.0 ~ 6.5)	4.11 (2.0 ~ 7.2)	4.83 (2.0-7.2)
		Heating	kW nom (min-max)	3.10 (0.5 ~ 5.3)	3.88 (1.0 ~ 6.5)	4.40 (2.0 ~ 7.2)	5.13 (2.0-7.2)
	EER			3.5	3.5	3.4	3.21
COP			3.7	3.6	3.6	3.5	
Indoor Unit							
Electrical Parameters	Power supply	Ph/V/Hz	1/230/50/60				
	Power Input	Watt	540	550	600	600	
Performance	Air flow (H/M/L/LL)	m ³ /h	2880/2380/1880/1380	3250/2750/2250/1850	3600/3100/2600/2100	4000/3400/2800/2200	
		l/s	800/660/520/380	900/760/620/510	1000/860/720/580	1115/945/780/615	
	ESP	pa	37~210				
Installation	Sound pressure level (H/M/L)	dB (A)	45/41/37/33	47/44/42/39	49/46/43/40	51/47/44/40	
	External dimensions (WxDxH)	mm	1350x490x425				
	Shipping dimensions (WxDxH)	mm	1565x725x510				
	Net/Shipping weight	kg	59/70	61/72	61/72	61/72	
Controls	Supply Air Flange	mm	306 x 1046				
	Return Air Flange	mm	353 x 1164				
	Wired Controller	Standard	YR-E17				
Outdoor Unit	Wireless Controller	Optional	YR-HD/RE-02				
		Optional	KZW-001				
Outdoor Unit							
Electrical Parameters	Power supply	Ph/V/Hz	1/230/50				
	Rated Amps	Cooling	Amp	13.3	16.5	18.5	21
		Heating	Amp	13.7	17.5	19.8	21.5
	Maximum Amps	Cooling	Amp	23.2	30	32	32
Heating		Amp	23.2	30	32	32	
Performance	Air flow (H)	m ³ /h	4000	6500	7000	7500	
	Sound power level	dB (A)	68	69	70	73	
	Sound pressure level	dB (A)	52	52	53	54	
Installation	External dimensions (WxDxH)	mm	950x370x965	950x370x1350			
	Shipping dimensions (WxDxH)	mm	1050x450x1095	1090x480x1500			
	Net/Shipping weight	kg	82/94	105/118	108/121	105/118	
	Compressor type		Twin rotary				
	Refrigerant type		R410A				
	Refrigerant liquid pipe	mm	9.52				
	Refrigerant gas pipe	mm	15.88				
	Max pipe length	m	50	75			
	Max drop between I.U.&O.U	m	30				
	Pre Charge of refrigerant	kg	2.5	3.7	3.7	3.7	
Pre-charged line length	m	20	30	30	30		
Additional gas charge	g/m	45	45	45	45		
Working Temperature	Cooling (Min-Max)	°C	-15 to +50				
	Heating (Min-Max)	°C	-20 to +24				

Nominal condition: as per AS/NZS3823.2
 Indoor temperature (cooling): 27°C DB/19°C WB, indoor temperature (heating): 20°C DB
 Outdoor temperature (cooling): 35°C DB/24°C WB, outdoor temperature (heating): 7°C DB/6°C WB



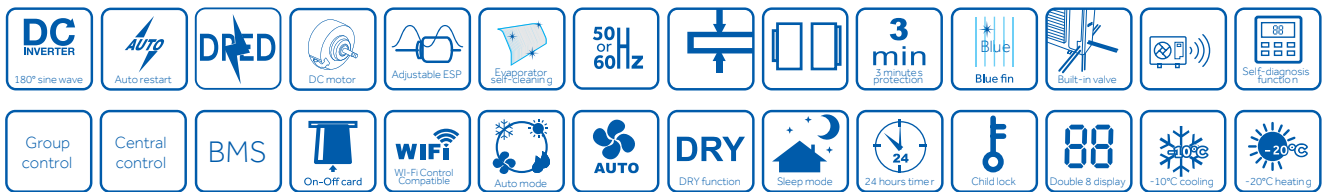
Outdoor Unit
1U200H1ERK
1U250H1ERK



YR-E17



Indoor Unit
ADH200H1ERG
ADH250H1ERG

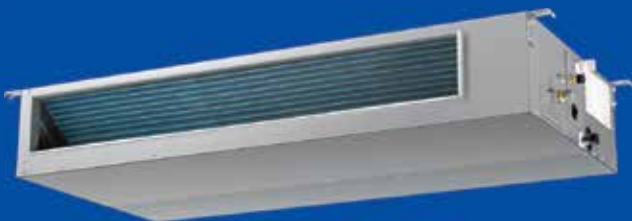


Model		Indoor unit		ADH200H1ERG	ADH250H1ERG
		Outdoor unit		1UH200H1ERK	1UH250H1ERK
Nominal performance data	Rated capacity	Cooling	Capacity (min-max)	20.5 (6.2~23.5)	24.0 (7.2~26.5)
		Heating	Capacity (min-max)	22.8 (7.2~24.8)	26.8 (8.2~28.8)
	Rated power input	Cooling	Input (min-max)	6.1 (2.5~8.5)	7.47 (3.5~9.5)
		Heating	Input (min-max)	6.0 (2.5~8.5)	7.18 (3.5~9.5)
	EER			3.36	3.21
COP			3.80	3.73	
Indoor Unit					
Electrical Parameters	Power supply		Ph/V/Hz		
	Power Input		Watt	800	920
Performance	Air flow (H/M/L/LL)		m ³ /h	4320/3780/3420/3060	5040/4500/3960/3600
			l/s	1200/1050/950/850	1400/1250/1100/1000
	ESP		pa	62~300	72~300
Installation	Sound pressure level (H/M/L)		dB (A)	54/50/45	55/51/47
	External dimensions (WxDxH)		mm	1330x895x500	1330x895x500
	Shipping dimensions (WxDxH)		mm	1510x1037x568	1510x1037x568
	Net/Shipping weight		kg	96/125	96/125
	Supply Air Flange		mm	958x377	958x377
Controls	Return Air Flange		mm	1118x347	1118x345
	Wired Controller	Standard		YR-E17	YR-E17
	Wireless Controller	Optional		RE-02 & YR-HD	RE-02 & YR-HD
	Wi-Fi	Optional		KZW-W001	KZW-W001
Outdoor Unit					
Electrical Parameters	Power supply		Ph/V/Hz	3/380-415/50	3/380-415/50
	Rated Amps	Cooling	Amp	10.3	12
		Heating	Amp	10	11.8
	Maximum Amps	Cooling	Amp	15.3	16.3
Heating		Amp	15.3	16.3	
Performance	Air flow (H)		m ³ /h	4320/3780/3420/3060	5040/4500/3960/3600
	Sound power level		dB (A)	75	75
	Sound pressure level		dB (A)	58	58
Installation	External dimensions (WxDxH)		mm	1050x413x1636	1050x413x1636
	Shipping dimensions (WxDxH)		mm	1150x510x1795	1150x510x1795
	Net/Shipping weight		kg	160/175	160/175
	Compressor type			Twin rotary	Twin rotary
Refrigeration	Refrigerant type			R410A	R410A
	Refrigerant liquid pipe	mm		12.7	12.7 (Brazed)
	Refrigerant gas pipe	mm		19.05	22.22 (Brazed)
	Max pipe length	m		75	75
	Max Height difference	m		50	50
	Pre Charge of refrigerant	kg		6.35	6.35
	Pre-charged line length	m		30	30
Additional gas charge	g/m		45	45	
Working Temperature	Cooling (Min-Max)		°C	-10 to 46	-10 to 46
	Heating (Min-Max)		°C	-20 to 24	-20 to 24

Nominal condition: as per AS/NZS3823.2
 Indoor temperature (cooling): 27°C DB/19°C WB, indoor temperature (heating): 20°C DB
 Outdoor temperature (cooling): 35°C DB/24°C WB, outdoor temperature (heating): 7°C DB/6°C WB



LOW PROFILE DUCTED



YR-E17



YR-E16A



YR-E16B



YR-HD



KZW-W001



- DC fan motor
- Slim design, only 250mm
- Fresh air connection
- Built-in high head drain pump
- Field adjustable rear or bottom air return
- WI-FI available with optional KZW-W001 kit

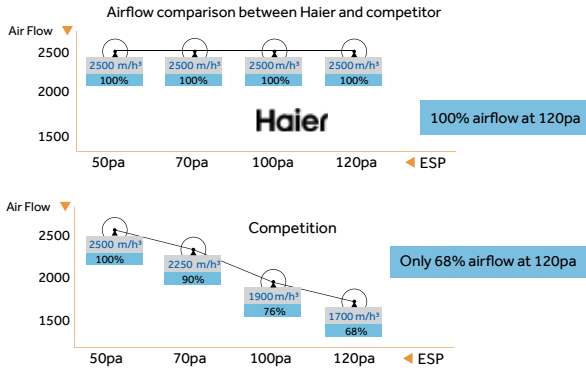


FEATURES AND BENEFITS



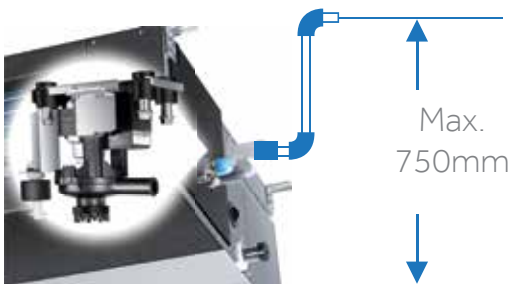
Consistent airflow

The indoor units can contain up to 3 fans to provide consistent airflow for different ductwork installations. Haier testing has proven no loss in airflow at increased static pressure installations.



High lift drain pump

Manufactured with high quality inbuilt condensate pump that has the capability of water lift up to 750mm to allow for a flexible installation



Return air choices

Clever design allows the rear return air to be easily converted to bottom return air. The supplied air filter can be relocated to the bottom.



Left or right drain outlet

In addition to the pump drain outlet, there is also two gravity drain connections provided on the left and on the right.



Super slim

Ultra slim design of 250mm. Designed to fit into tight spaces where a normal ducted system is not suitable.



LOW PROFILE DUCTED SPECIFICATIONS



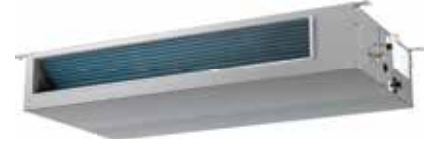
Outdoor Unit
1UH071N1ERG
1UH090N1ERG
1UH105N1ERG



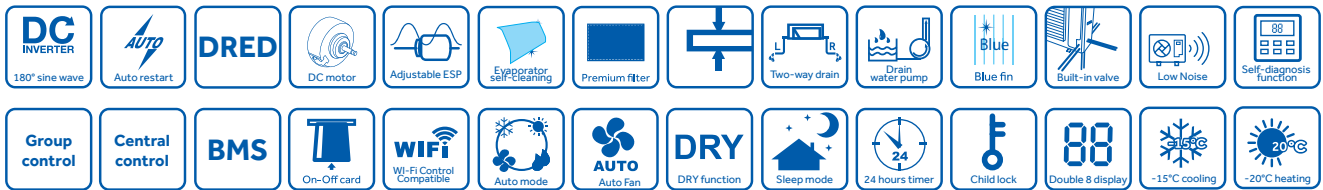
YR-E17



Indoor Unit
ADH071M3ERG
ADH090M1ERG



Indoor Unit
ADH105M1ERG



Model		Indoor unit		ADH071M3ERG	ADH090M1ERG	ADH105M1ERG
		Outdoor unit		1UH071N1ERG	1UH090N1ERG	1UH105N1ERG
Rated performance data	Capacity	Cooling	kW Nom (min-max)	7.1 (2.0-9.0)	8.5 (2.5-10)	10.0 (2.5-11)
		Heating	kW Nom (min-max)	8.0 (2.0-10.0)	9.5 (2.5-11)	10.4 (2.5-12)
	Power input	Cooling	kW Nom (min-max)	2.03 (0.4-4.0)	2.50 (0.5-4.4)	2.93 (0.5-4.5)
		Heating	kW Nom (min-max)	2.0 (0.4-4.0)	2.50 (0.5-4.4)	2.97 (0.5-4.5)
	EER	Cooling	kW/kW	3.5	3.4	3.4
COP	Heating	kW/kW	4.0	3.8	3.5	
Indoor Unit						
Performance	Air flow (H/M/L)	m3/h		1450/1200/950/700	1300/900/700	2000/1740/1380/1280
		L/S		402/333/263/194	360/250/190	555/480/380/355
	External Static Pressure	pa		25-150	10/30/50/70	30 to 120
	Sound power level (H/M/L)	dB(A)		58	60	55
Installation	Sound pressure level (H/M/L)	dB(A)		38/35/32/29	40/37/34	32/28/25/23
	External dimensions (WxDxH)	mm		957x655x250		1500x700x250
	Shipping dimensions (WxDxH)	mm		1170x860x340		1710x865x320
	Net/Shipping weight	kg		31.2/36.8		49/61
	Supply air Flange	mm		145x800		168x1286
Controller	Return Air Flange	mm		235x851		235x1435
	Wired Controller	Standard		YR-E17		
	Wireless Controller	Optional		RE-02/YR-HD		
		Wi-Fi	Optional	KZW-W001		
Outdoor Unit						
Electrical	Power supply	Ph/V/Hz		1/220-240/50		
	Rated Current	Cooling	Amps	8.8	11.1	13.6
		Heating	Amps	9.2	11.1	12.7
Maximum Current	Amps		17.5	19.2	21	
Performance	Air flow (H)	m3/h	3200	3500	4000	
		L/S	890	975	1115	
	Sound power level	dB(A)	64	66	68	
	Sound pressure level	dB(A)	47	50	52	
Installation	External dimensions (WxDxH)	mm		950x370x965		
	Shipping dimensions (WxDxH)	mm		1050x450x1095		
	Net/Shipping weight	kg		80/92		82/94
	Compressor type			Twin rotary		
	Refrigerant type			R410A		
	Refrigerant liquid pipe	mm		9.52		
	Refrigerant gas pipe	mm		15.88		
	Max pipe length	m		50		
	Max height between I.U.&O.U	m		30		
	Refrigerant pre-charged	kg		2.5		
	Pre-charged line length	m		20		
Additional gas charge	g/m		45			
Working temp.	Cooling (Min-Max)	°C		-15 to +50		
	Heating (Min-Max)	°C		-20 to +24		

Nominal condition: as per AS/NZS3823.2
Indoor temperature (cooling): 27°C DB/19°C WB, indoor temperature (heating): 20°C DB
Outdoor temperature (cooling): 35°C DB/24°C WB, outdoor temperature (heating): 7°C DB/6°C WB



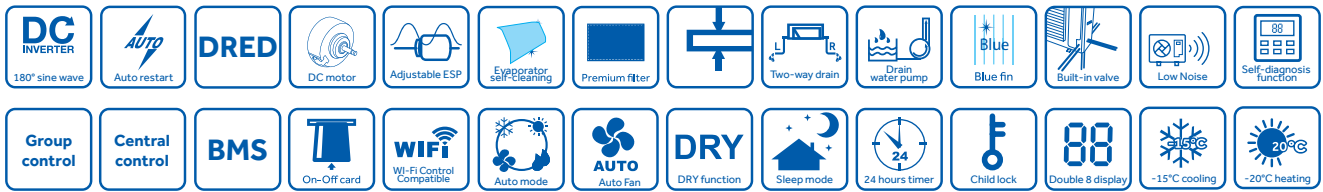
Outdoor Unit
1U125P1ERG
1U140P1ERG
1U125P1ERK
1U140P1ERK



YR-E17



Indoor Unit
ADH125M1ERG
ADH140M1ERG



Model		Indoor unit		ADH125M1ERG	ADH140M1ERG	ADH125M1ERG	ADH140M1ERG
		Outdoor unit		1UH125P1ERG	1UH140P1ERG	1UH125P1ERK	1UH140P1ERK
Rated Performance data	Capacity	Cooling	kW Nom (min-max)	12.5 (3.5-15.0)	13.4 (3.5-16.0)	12.5 (3.5-15.0)	13.4 (3.5-15.5)
		Heating	kW Nom (min-max)	13.7 (4.0-18.0)	15.0 (4.0-19.0)	13.7 (4.0-18.0)	15.0 (4.0-19.0)
	Power input	Cooling	kW Nom (min-max)	3.67 (1.0-6.5)	4.05 (1.0-6.5)	3.67 (1.0-6.5)	4.05 (1.0-6.5)
		Heating	kW Nom (min-max)	3.91 (1.0-6.5)	4.29 (1.2-6.5)	3.91 (1.0-6.5)	4.29 (1.2-6.5)
	EER	Cooling	kW/kW	3.4	3.3	3.4	3.3
COP	Heating	kW/kW	3.5	3.5	3.5	3.5	
Indoor Unit							
Performance	Air flow (H/M/L/LL)	m3/h		2250/1960/1680/1500	2500/2160/1780/1500	2250/1960/1680/1500	2500/2160/1780/1500
		L/S		625/540/465/415	690/600/490/415	625/540/465/415	690/600/490/415
Sound	External Static Pressure	pa		30 to 120	30 to 120	30 to 120	30 to 120
	Sound power level	dB(A)		62	64	62	64
	Sound pressure level (H/M/L)	dB(A)		39/36/33/31	41/36/33/31	39/36/33/31	41/36/33/31
Installation	External dimensions (WxDxH)	mm		1500x700x250			
	Shipping dimensions (WxDxH)	mm		1710x865x320			
	Net/Shipping weight	kg		52/63			
Flange Connection	Supply Air	mm		168x1286			
	Return Air	mm		235x1435			
Controller	Wired Controller	Standard		YR-E17			
	Wireless Controller	Optional		RE-02/YR-HD			
	Wi-Fi	Optional		KZW-W001			
Outdoor Unit							
Electrical	Power supply	Ph/V/Hz		1/220-240/50/60		3/380-415/50/60	
	Rated Current	Cooling	Amps	17.0	18.0	6.1	7.0
		Heating	Amps	17.5	19.0	6.5	7.3
	Maximum Current	Amps	30.0	32	10.8	11.0	
Performance	Air flow (H)	m3/h		6500	7000	6500	7000
		L/S		1810	1945	1810	1945
	Sound power level	dB(A)		69	70	69	70
	Sound pressure level	dB(A)		52	53	52	53
Installation	External dimensions (WxDxH)	mm		950x370x1350			
	Shipping dimensions (WxDxH)	mm		1090x480x1500			
	Net/Shipping weight	kg		108/121			
	Compressor type			Twin rotary			
	Refrigerant type			R410A			
	Refrigerant liquid pipe	mm		9.52			
	Refrigerant gas pipe	mm		15.88			
	Max pipe length	m		75			
	Max height between I.U.&O.U	m		30			
	Refrigerant pre-charged	kg		3.7			
Pre-charged line length	m		30				
Additional gas charge	g/m		45				
Working temp.	Cooling (Min-Max)	°C		-15 to +50			
	Heating (Min-Max)	°C		-20 to +24			

Nominal condition: as per AS/NZS3823.2
Indoor temperature (cooling): 27°C DB/19°C WB, indoor temperature (heating): 20°C DB
Outdoor temperature (cooling): 35°C DB/24°C WB, outdoor temperature (heating): 7°C DB/6°C WB



CASSETTE ROUND WAY



YR-HBS01



YR-E17



YR-E16A



YR-E16B



KZW-W001



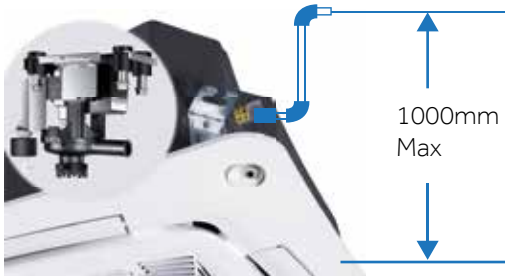
- DC fan motor
- Unique round-way air outlet, no blind spot
- Independent air flow louvre control, 6 adjustable louvre positions, 1296 air flow combinations
- Optional movement eye sensor panel (PB-950MB)
- WI-FI available with optional KZW-W001 kit



FEATURES AND BENEFITS

High lift drain pump

Pump can lift up to 1000mm.



Fresh Air Inlet

Pre-set fresh air inlet can introduce the outside fresh air into the room to improve the indoor air quality.



Hidden LCD Display

Hidden LCD display design.
Green display for cooling, red display for heating.



Round flow air supply

Air supply in all directions to improve air distribution



Traditional 4 Way Airflow



New round way airflow design

Moving eye intelligent panel (optional)

Using the PB-9500MB panel will offer an additional feature - an eye that can detect movement in the room.



Mode of operation.

1. Follow or Evade: The airflow can be set to "follow or evade" to reduce or increase draft to improve comfort level.
2. Absence: Temperature set-point will be adjusted up or down one degree every 30 minutes if no movement is detected.

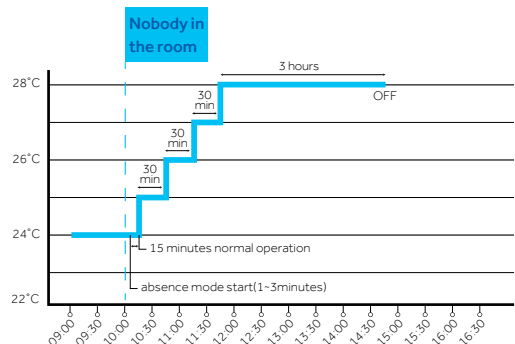
Follow



Evade



Absence



With sensor

CASSETTE SPECIFICATIONS



Outdoor Unit
1UH071N1ERG
1UH105N1ERG



YR-HBS01



Model			Indoor unit	ABH071H5ERG	ABH105K1ERG
			Outdoor unit	1UH071N1ERG	1UH105N1ERG
Rated performance data	Nominal capacity	Cooling	kW nom (min-max)	6.8 (2.0-8.0)	10.0 (2.5-11)
		Heating	kW nom (min-max)	7.6 (2.0-9.0)	10.6 (2.5-11.3)
	Rated power input	Cooling	kW nom (min-max)	2.02 (0.4-4.0)	3.19 (0.5-4.0)
		Heating	kW nom (min-max)	2.1 (0.4-4.0)	3.20 (0.5-4.0)
	EER		W/W	3.37	3.13
	COP		W/W	3.62	3.31
Star Rating (Cooling/Heating)			2.5 / 3.0	1.5 / 2.0	
Indoor Unit					
Performance	Air flow (H/M/L)	m ³ /h	1360/1260/1070/820		1680/1530/1320/1190
		L/S	378/350/297/228		467/425/367/331
	Sound power level (H/M/L)	dB(A)	62		62
Installation	External dimensions (W/D/H)	mm	840x840x246		840x840x288
	Shipping dimensions (W/D/H)	mm	990x990x310		990x990x380
	Weight Net/Shipping	kg	31 / 36		32 / 38
	Controller	Wireless Controller	Standard	YR-HBS-01	
Wired Controller		Optional	YR-E17 / YR-E16A / YR-E16B		
Wi-Fi		Optional	KZW-W001		
Panel	Panel Model		PB-950KB (standard panel) PB-950MB (Movement sensor panel)		
	External dimensions(W/D/H)	mm	950x950x50		
	Shipping dimensions(W/D/H)	mm	1000x1000x110		
	Weight Net/Shipping	kg	6.5/9		
Outdoor Unit					
Electrical	Power supply		Ph/V/Hz	1/220-240/50	
	Rated Current	Cooling	Amps	9.1	13.6
		Heating	Amps	9.1	13.6
	Maximum Current		Amps	17.5	20
Performance	Air flow (H)	m ³ /h	3200	4000	
		L/S	885	1110	
	Sound power level	dB(A)	64	68	
	Sound pressure level	dB(A)	47	52	
Installation	External dimensions (WxDxH)	mm	950x370x965		
	Shipping dimensions (WxDxH)	mm	1050x480x1130		
	Weight Net/Shipping	kg	80/92	82/94	
	Compressor type		Rotary		
	Refrigerant type		R410A		
	Refrigerant liquid pipe	mm	9.52 (3/8)		
	Refrigerant gas pipe	mm	15.88 (5/8)		
	Max pipe length	m	50		
	Max drop between I.U.&O.U	m	30		
	refrigerant pre- charged	kg	2.5		
	Pre-charge line length	m	20		
Additional gas charge	g/m	45			
Working temp.	Cooling(Min-Max)		°C	-15 to +50	
	Heating(Min-Max)		°C	-20 to +24	

Nominal condition: as per AS/NZS3823.2
Indoor temperature (cooling): 27°C DB/19°C WB, indoor temperature (heating): 20°C DB
Outdoor temperature (cooling): 35°C DB/24°C WB, outdoor temperature (heating): 7°C DB/6°C WB



Outdoor Unit
1U125P1ERG
1U125P1ERK



YR-HBS01

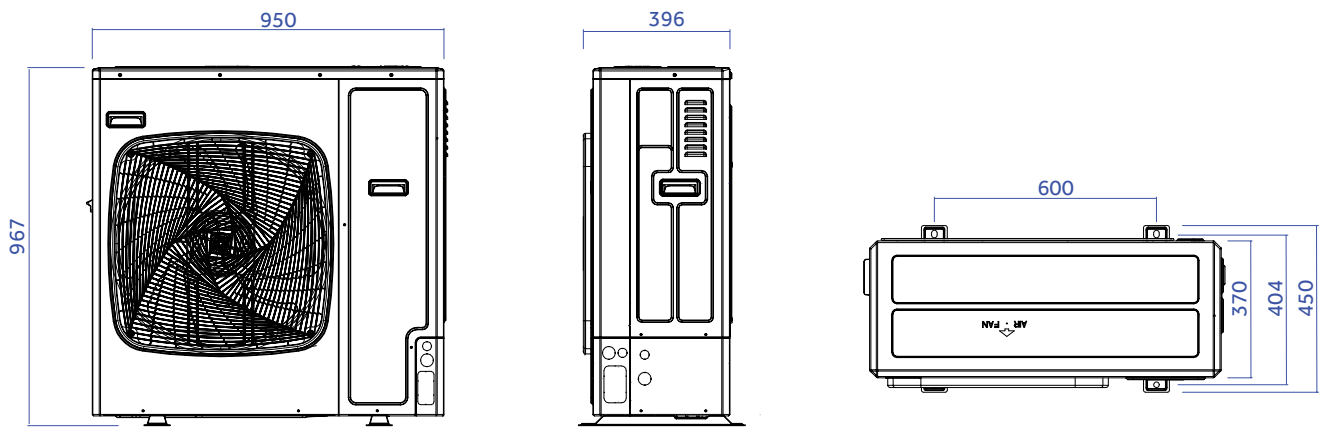


Model			Indoor unit	ABH125K5ERG	ABH125K5ERG
			Outdoor unit	1UH125P1ERG	1UH125P1ERK
Rated performance data	Nominal capacity	Cooling	kW nom (min-max)	12.0 (3.5-14.0)	12.0 (3.5-14.0)
		Heating	kW nom (min-max)	13.0 (4-17)	13.0 (4-17)
	Rated power input	Cooling	kW nom (min-max)	3.83 (1.0-6.0)	3.83 (1.0-6.0)
		Heating	kW nom (min-max)	4.05 (1.0-6.0)	4.05 (1.0-6.0)
	EER		WxW	3.13	3.13
	COP		WxW	3.21	3.21
Star Rating (Cooling/Heating)				1.5 / 1.5	1.5 / 2.0
Indoor Unit					
Performance	Air flow (H/M/L)		m ³ /h	1950/1600/1440/1200	1950/1600/1440/1200
			L/S	540/440/400/330	540/440/400/330
	Sound power level (H/M/L)		dB(A)	64	64
	Sound pressure level (H/M/L)		dB(A)	47/44/38/34	47/44/38/34
Installation	External dimensions (W/D/H)		mm	840/840/288	
	Shipping dimensions (W/D/H)		mm	990/990/380	
	Weight Net/Shipping		kg	32/38	
	Wireless Controller		Standard	YR-HBS-01	
Wired Controller		Optional	YR-E17 / YR-E16A / YR-E16B		
Wi-Fi		Optional	KZW-W001		
Panel	Panel Model			PB-950KB (standard panel) PB-950MB (Movement sensor panel)	
	External dimensions (WxDxH)		mm	950x950x50	
	Shipping dimensions (WxDxH)		mm	1000x1000x110	
	Weight Net/Shipping		kg	6.5/9	
Outdoor Unit					
Electrical	Power supply		Ph/V/Hz	1/220-240 / 50	3/380-400/50
	Rated Current	Cooling	Amps	17.0	6.1
		Heating	Amps	17.2	6.2
Maximum Current		Amps	30.0	10.8	
Performance	Air flow (H)		m ³ xh	6500	
			L/S	1805	
	Sound power level		dB(A)	69	
Sound pressure level		dB(A)	52		
Installation	External dimensions (WxDxH)		mm	950x370x1350	
	Shipping dimensions (WxDxH)		mm	1090x480x1500	
	Weight Net/Shipping		kg	105/118	108/121
	Compressor type			Rotary	
	Refrigerant type			R410A	
	Refrigerant liquid pipe		mm	9.52	
	Refrigerant gas pipe		mm	15.88	
	Max pipe length		m	75	
	Max drop between I.U.&O.U		m	30	
	Refrigerant pre- charged		kg	3.7	
Pre-charged line length		m	30		
Additional gas charge		g/m	45		
Working temp.	Cooling (Min-Max)		°C	-15 to +50	
	Heating (Min-Max)		°C	-20 to +24	

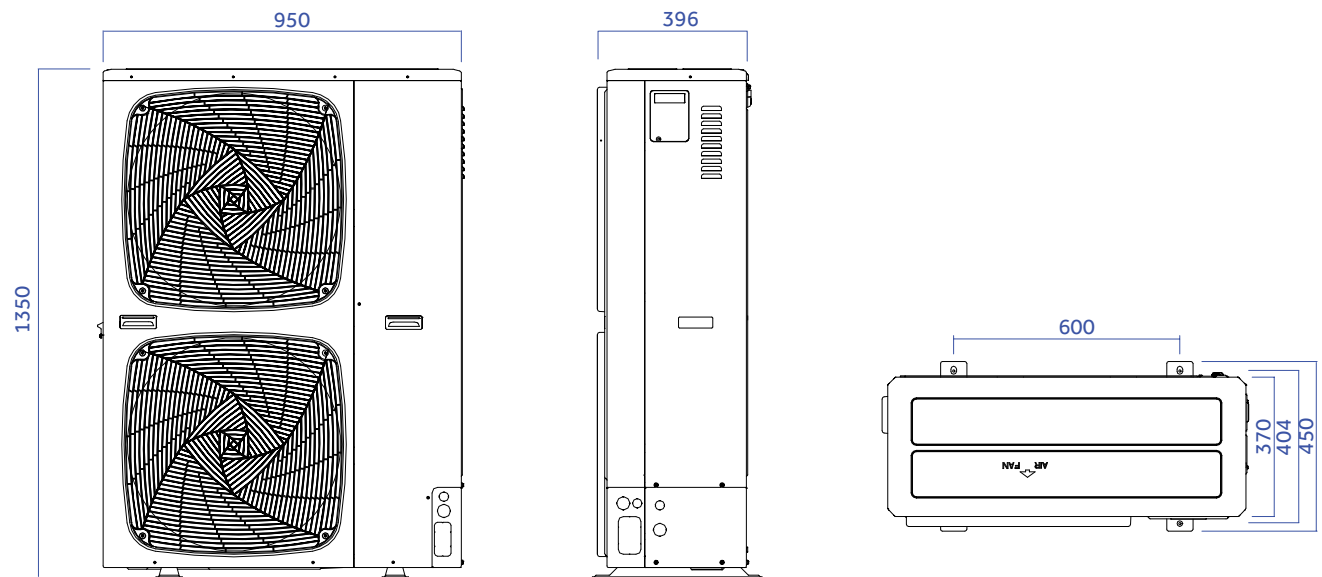
Nominal condition: as per AS/NZS3823.2
Indoor temperature (cooling): 27°C DB/19°C WB, indoor temperature (heating): 20°C DB
Outdoor temperature (cooling): 35°C DB/24°C WB, outdoor temperature (heating): 7°C DB/6°C WB

OUTDOOR UNIT DRAWINGS

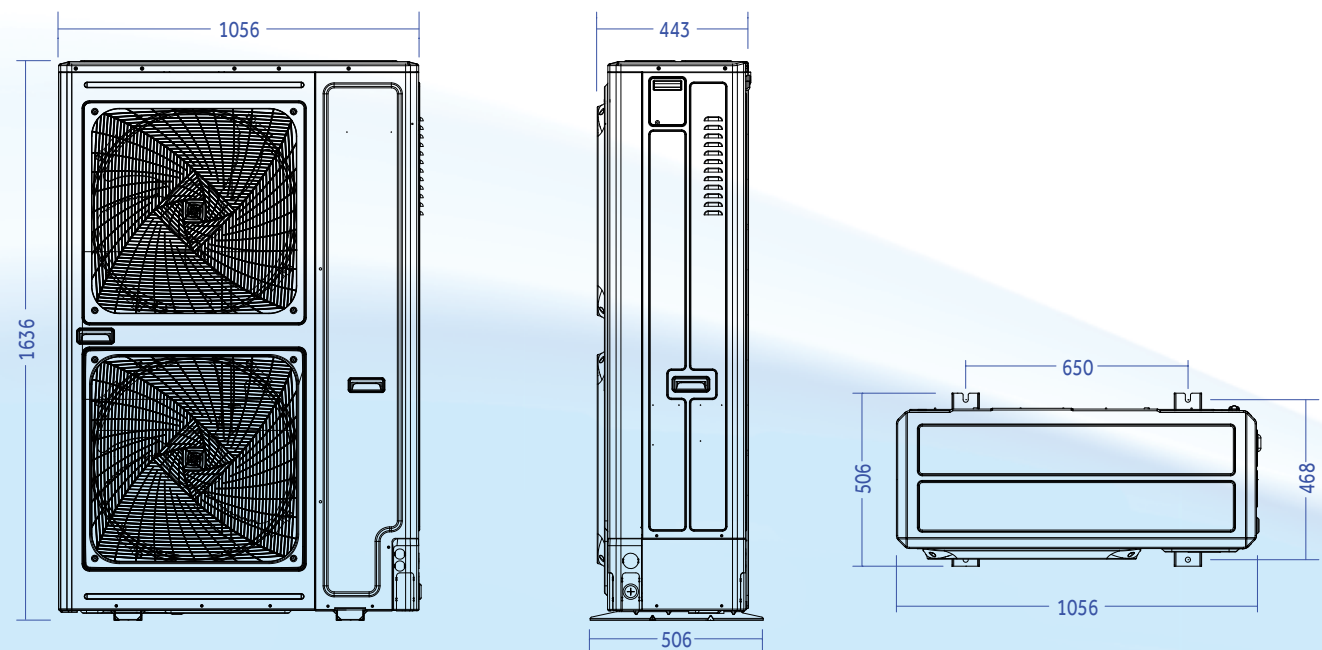
1UH071N1ERG 1UH090N1ERG 1UH105N1ERG



1UH125P1ERG 1UH140P1ERG 1UH160P1ERG 1UH125ERK 1UH140P1ERK



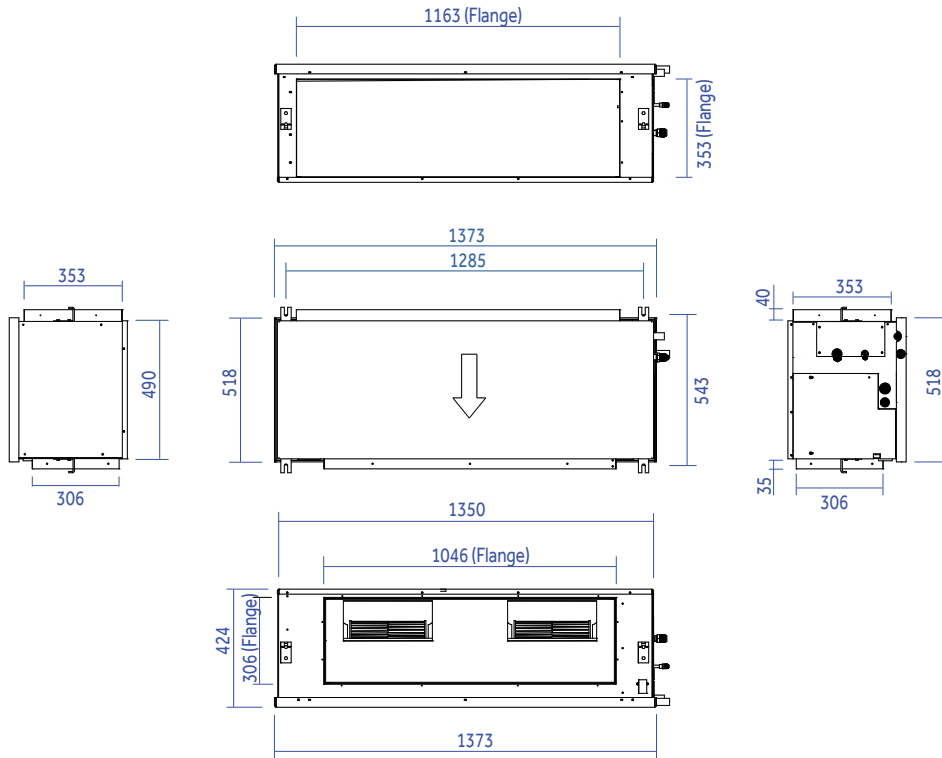
1UH200W1ERK 1UH250W1ERK



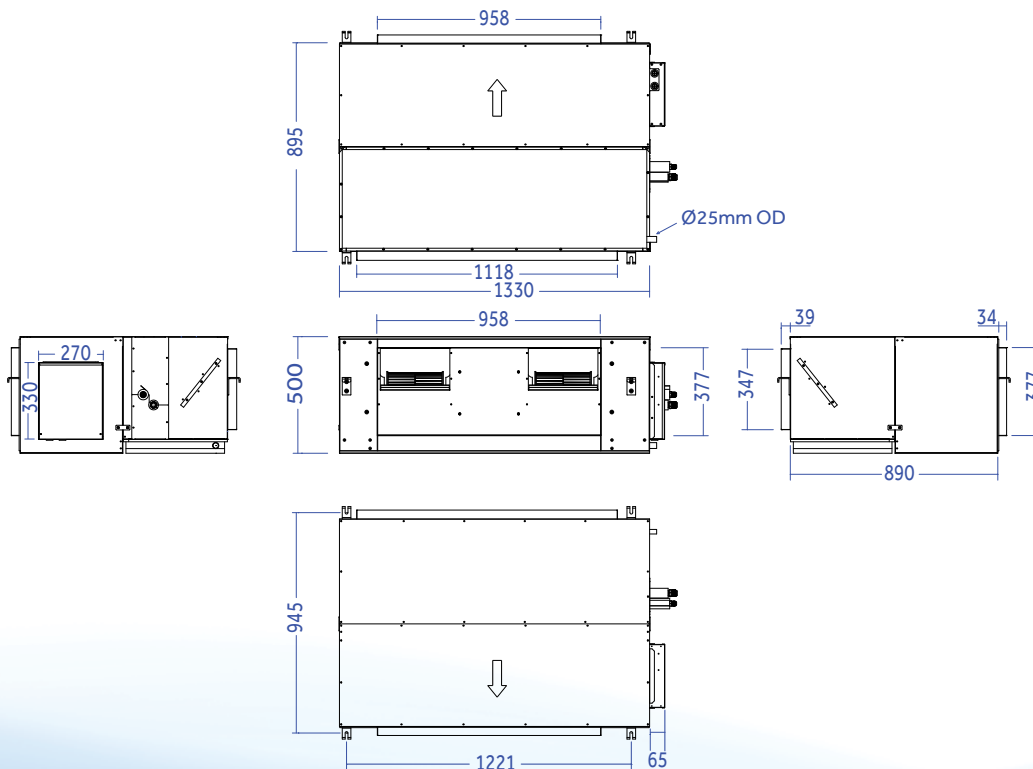
INDOOR UNIT DRAWINGS

HIGH STATIC

ADH105H1ERG ADH125H1ERG ADH140H1ERG ADH160H1ERG



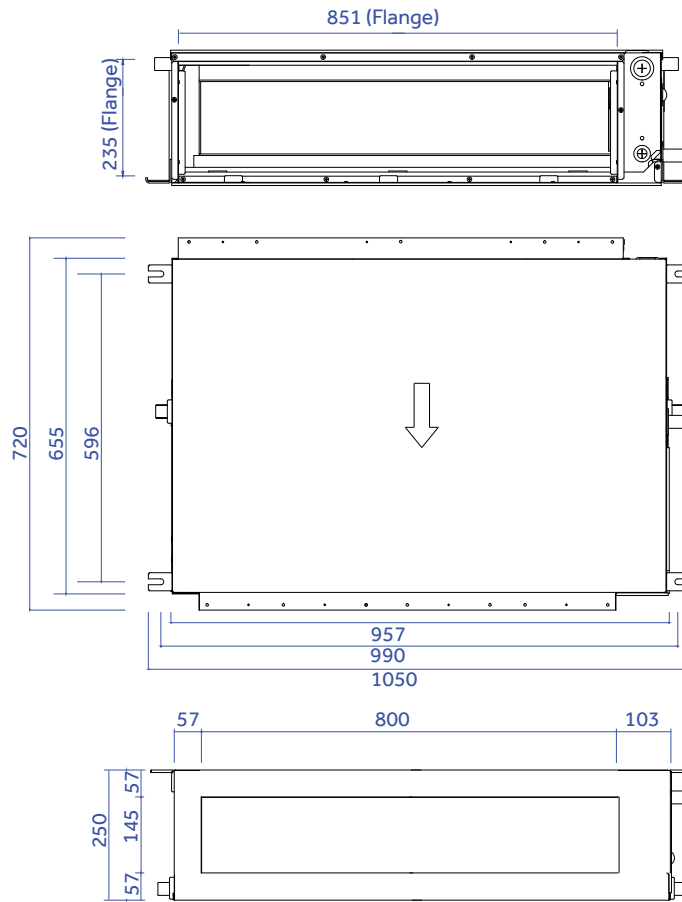
ADH200H1ERG ADH250H1ERG



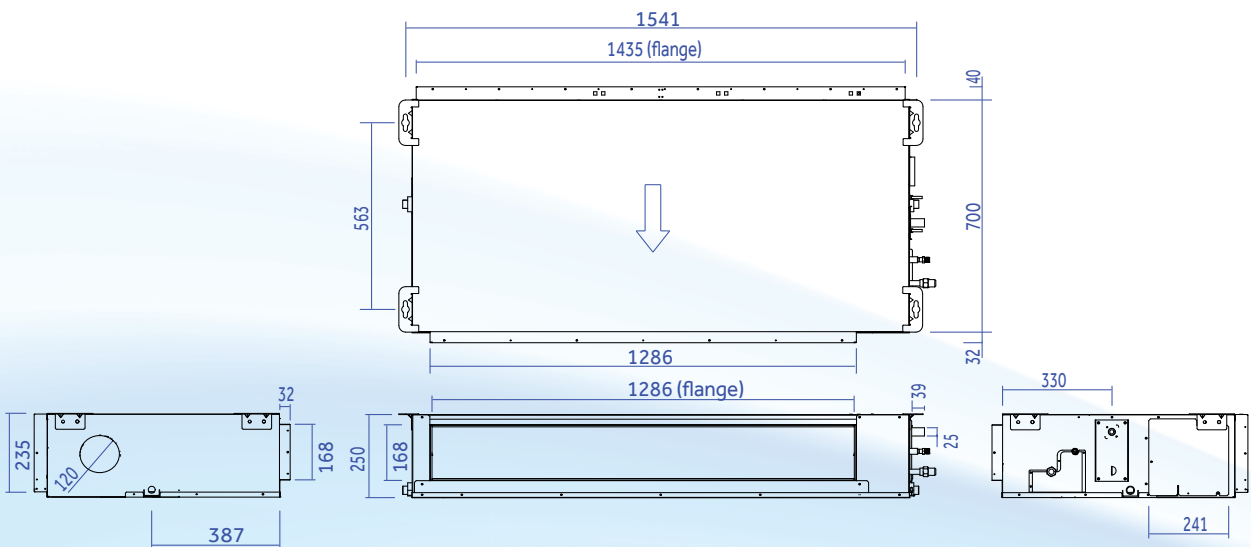
INDOOR UNIT DRAWINGS

LOW PROFILE DUCTED

ADH071M3ERG ADH071M1ERG ADH090M1ERG



ADH105M1ERG ADH125M1ERG ADH140M1ERG

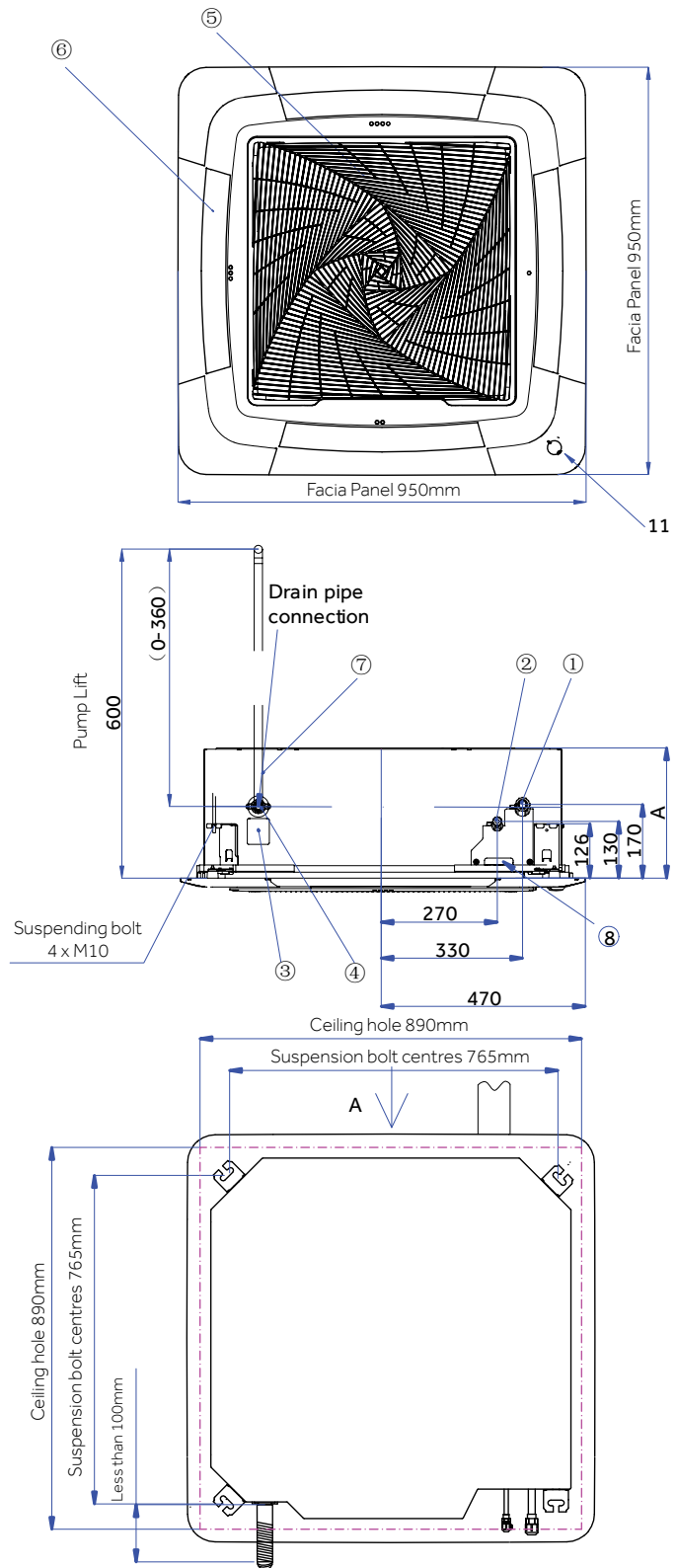
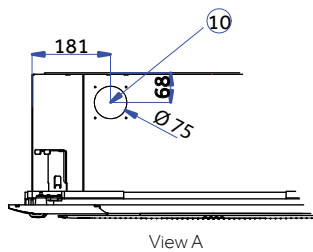
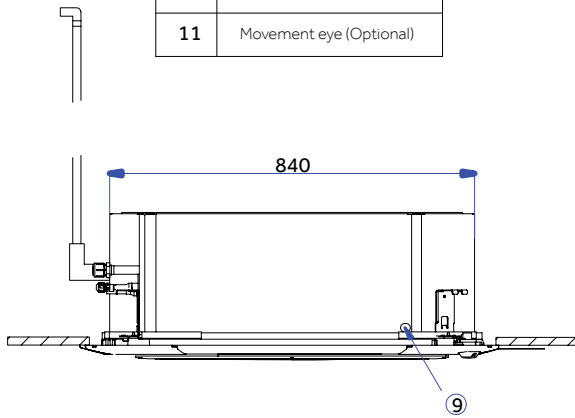


INDOOR UNIT DRAWINGS

CASSETTE

ABH071H5ERG ABH105K1ERG ABH125K5ERG

Code	Name
1	Gas Pipe
2	Liquid Pipe
3	Drain observation plate
4	Drain Pipe
5	Air return grille
6	Air outlet
7	Drain connection pipe (accessory)
8	Power supply inlet
9	PQ line inlet
10	Fresh air inlet
11	Movement eye (Optional)



Model	A (mm)
ABH071H5ERG	246
ABH105H5ERG AB125K5ERG	288

CONTROLS

YR-E17

- Touch screen with back-light
- Small, Simple and Smart design, 86x86x13mm
- On/Off, Mode, Fan speed, Temperature setting, Swing.
- Individual control & Group control (Max 16 indoor units)
- Fahrenheit / Celsius selectable; Sensitivity $\pm 0.5^{\circ}\text{C}$
- Static pressure setting.



YR-E16A

- Optional purchase (upgrade)
- 7 Day Timer / Clock
- Large touch button with colour LCD, with back-light.
- Error display is listed in Year/Month/Date format.
- On/Off, Mode, Fan speed, Temperature setting, Swing
- Individual control & Group control (Max 16 indoor units)
- Fahrenheit / Celsius selectable; Sensitivity $\pm 0.5^{\circ}\text{C}$
- Static pressure setting



Wireless control for Ducted system

- RE-02 Infrared receiver control for duct type indoor unit.
- Requires one YR-HD



(Part H0010401511)

YR-HBS-01

- Supplied with Cassette
- Oversized display with oversized buttons for easy use.
- Temperature setting of 0.5 degree increments
- Individual cassette louver control for round way cassette
- Follow and evade function for use with PB-950MB panel.



KZW-W001

- Wi-Fi control
- APP Free download for Apple and Android
- Weekly timer
- Connect multiple units.



CENTRAL CONTROLS

YCZ-G001

- Central control (Max 32 indoor units)
- Individual control, Group control
- Large touch keys
- 7 day timer.
- Unit name & Group name free setting. Four background available (mall, hotel, office, home)



YCZ-A004

- Central control (Max 256 indoor units)
- Individual control, Group control
- 7-inch Touch colour screen, with back-light
- Schedule control
- Indoor units information.



ACTUAL SIZE

YR-E17 pictured. Screen icons subject to change as the controller will self adapt to the indoor unit connected.

Summary of features

- Touch Screen
- Backlit display for easier viewing.

Summary of buttons

1. On/Off: turn system on and off.
2. Mode: Change mode of operation from Intelligent - Cooling - Heating - Fan - Dry
3. Fan: Alter airflow High-Medium-Low
4. Temperature up/down. Adjust the set-point temperature is 0.5 degree increments
5. Timer: Select Timer ON, Timer OFF, Timer ON/OFF.
6. Set: To enter special functions like swing, four (4) way louvre adjustment (cassette model).



For Haier Appliances

Australia 1300 729 948 | haier.com.au

New Zealand 0800 424 372 | haier.co.nz

Haier
Air Conditioning

Important notice of Disclosure: Copyright © Fisher & Paykel Appliances 2019. All rights reserved.
The product dimensions and specifications in this brochure apply to the specific products and models described at the date of issue. Under our policy of continuous product improvement, these dimensions and specifications may change at any time. You should therefore check with your dealer or Haier's Customer Care Centre to ensure this flyer correctly describes the products currently available.

Fisher & Paykel Australia Pty Ltd, Level 1, 1 Eden Park Drive, Macquarie Park, NSW 2113.
Phone Customer Care: 1300 729 948 Email: customer.care@haier.com.au

Fisher & Paykel Appliances Ltd, 78 Springs Road, East Tamaki, Auckland 2013.
Phone Customer Care: 0800 424 372. Email: customer.care@haier.co.nz

Version 201907